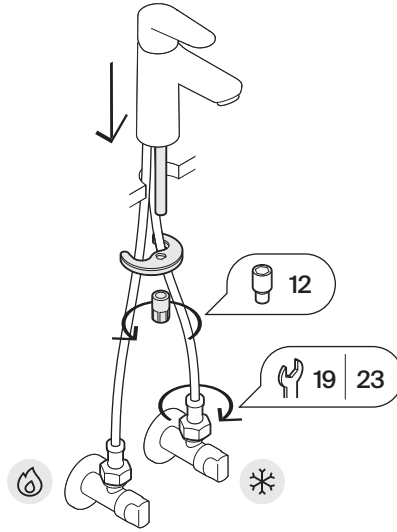
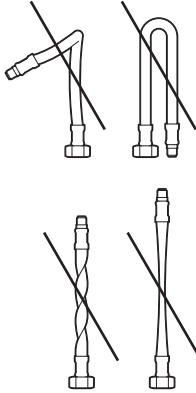
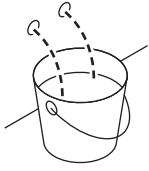














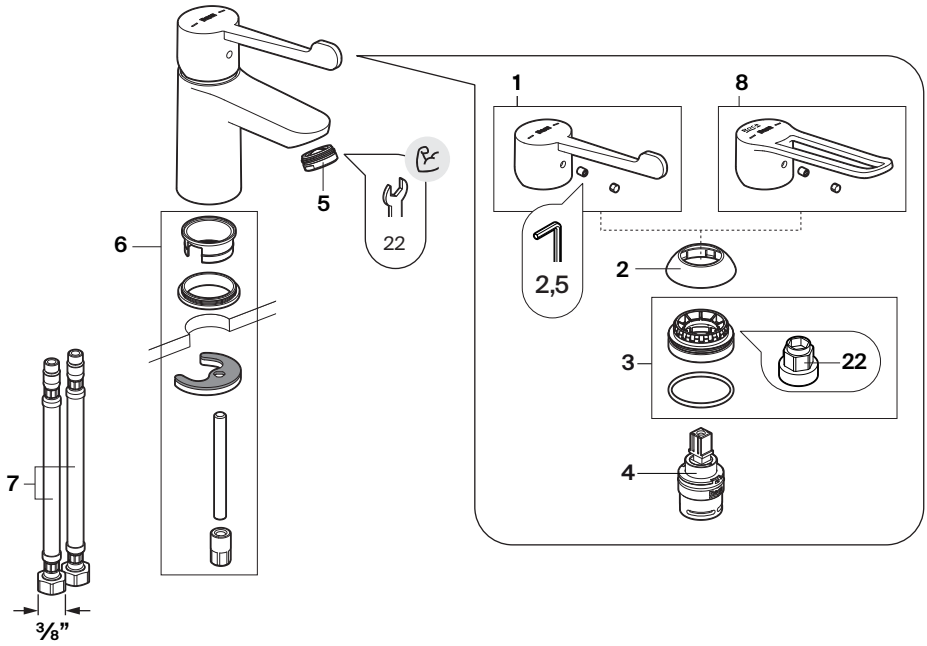


Victoria Pro

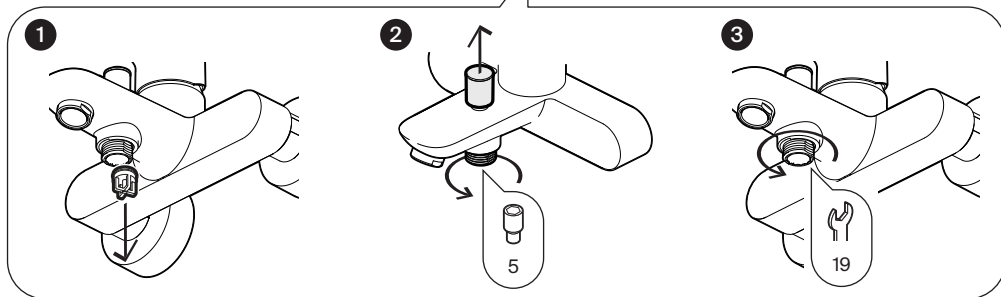
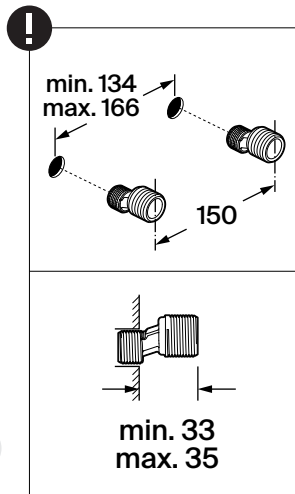
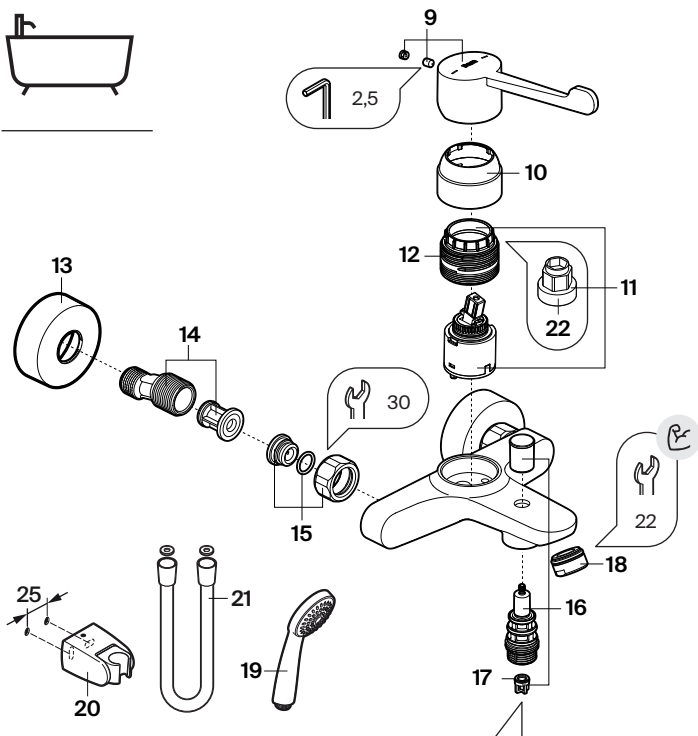
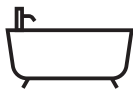




 P	bar	  10 Max		
		  5 Max Min 1	 3 1 	
 T	°C	  80 Max	 65 50 	
		 Q (3 bar)	L/min	 8

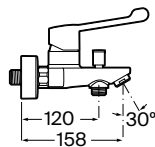
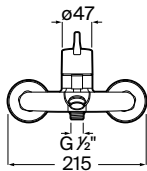
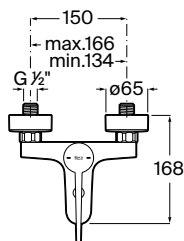


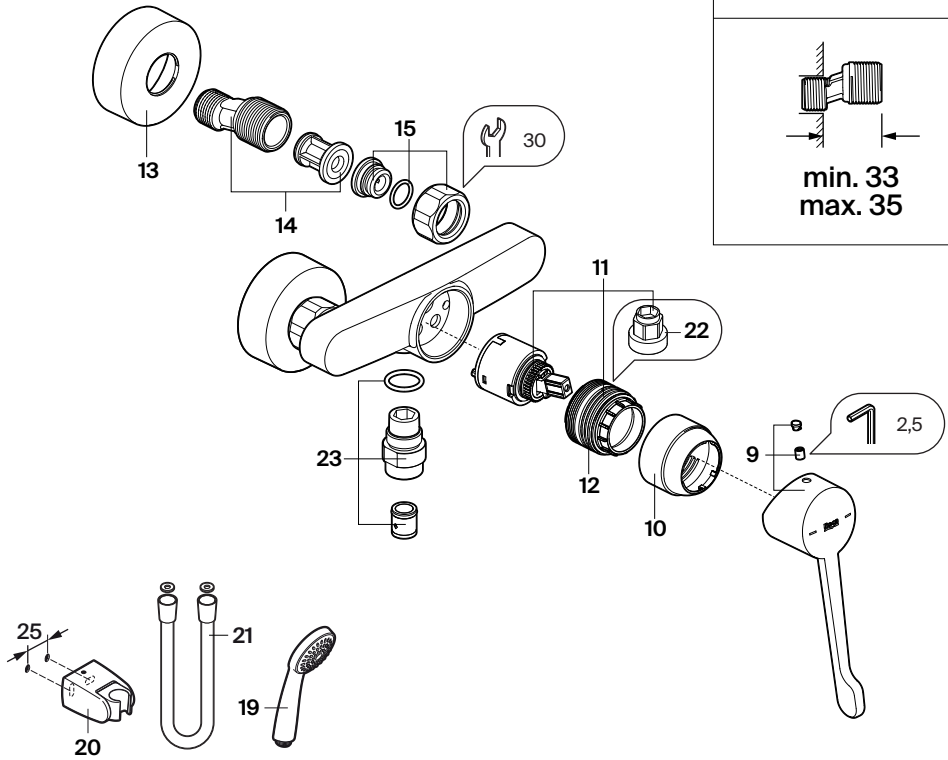
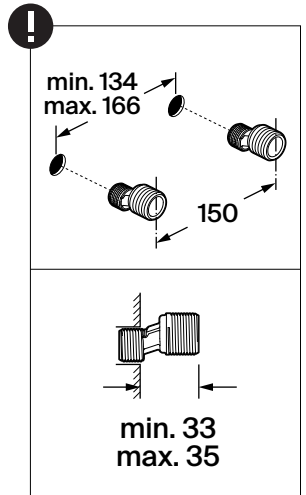
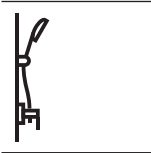
A5A3B5G	A5A3E5G	A5A325G	A5A3D5G



A5A015G

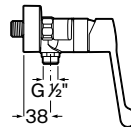
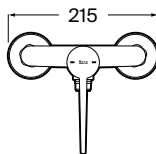
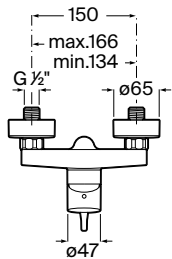
A5A025G

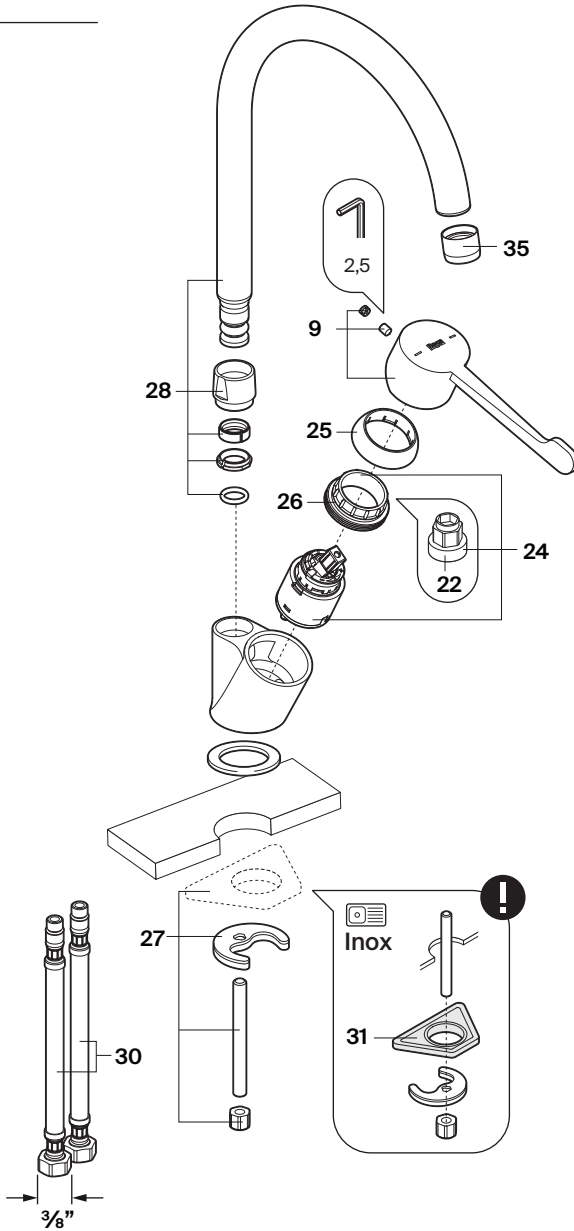




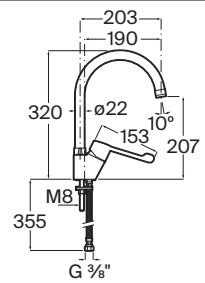
A5A205G

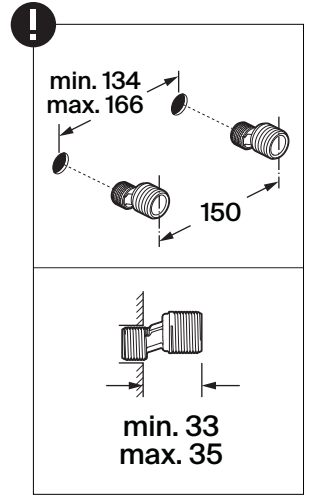
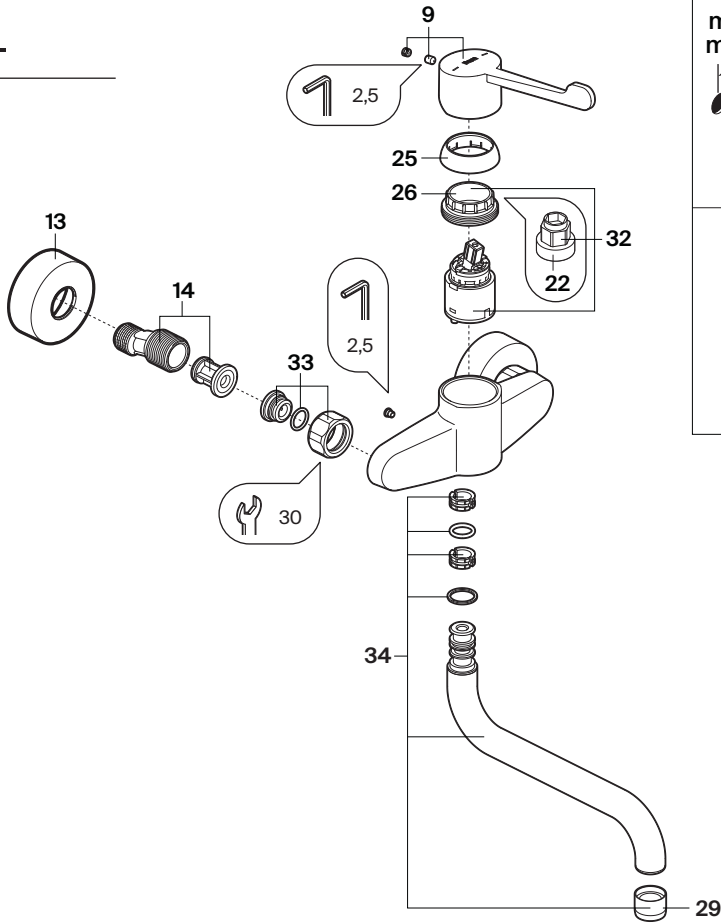
A5A215G



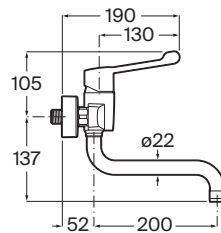
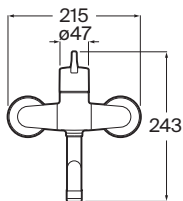
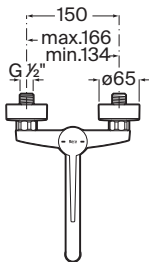


A5A8E5G



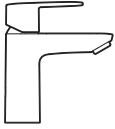


A5A765G

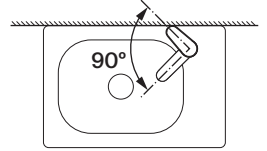
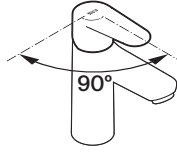




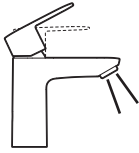
0%



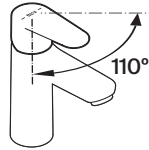
Cold start



100%



Mixer





1	AG02553..R
2	AG00321..R
3	AG0240600R
4	AG0223600R
5	AG00466..R
6	A525004403
7	AG0223800R
8	AG02554..R
9	AG02555..R
10	AG01164..R
11	AG0110607R
12	AG0054107R

13	AG01168..R	x2
14	AG0103908R	x2
15	AG02476..R	x2
16	AG02416..R	
17	AG0134907R	x2
18	AG02603..R	
19	AG00827.R	
20	AG01059..R	
21	AG02702..R	
22	A525005407	
23	AG02415..R	
24	AG0077807R	

25	AG00853..R	
26	A525023507	
27	A525006903	
28	AG01902..R	
29	A525006600	
30	A525020309	
31	AG0101207R	
32	AG0077807R	
33	AG00025..R	x2
34	AG02556..R	
35	AG02776..R	
